

BUSHING DESIGN CATALOGUE

Self-lubricating Bushing



Get a
Quote



BUSHING DESIGN CATALOGUE

STAINLESS STEEL BUSHINGS

VIPLUS

HIGH PERFORMANCE BEARING SOLUTIONS 容

VIPLUS INTERNATIONAL
WWW.BRONZEGLEITLAGER.COM

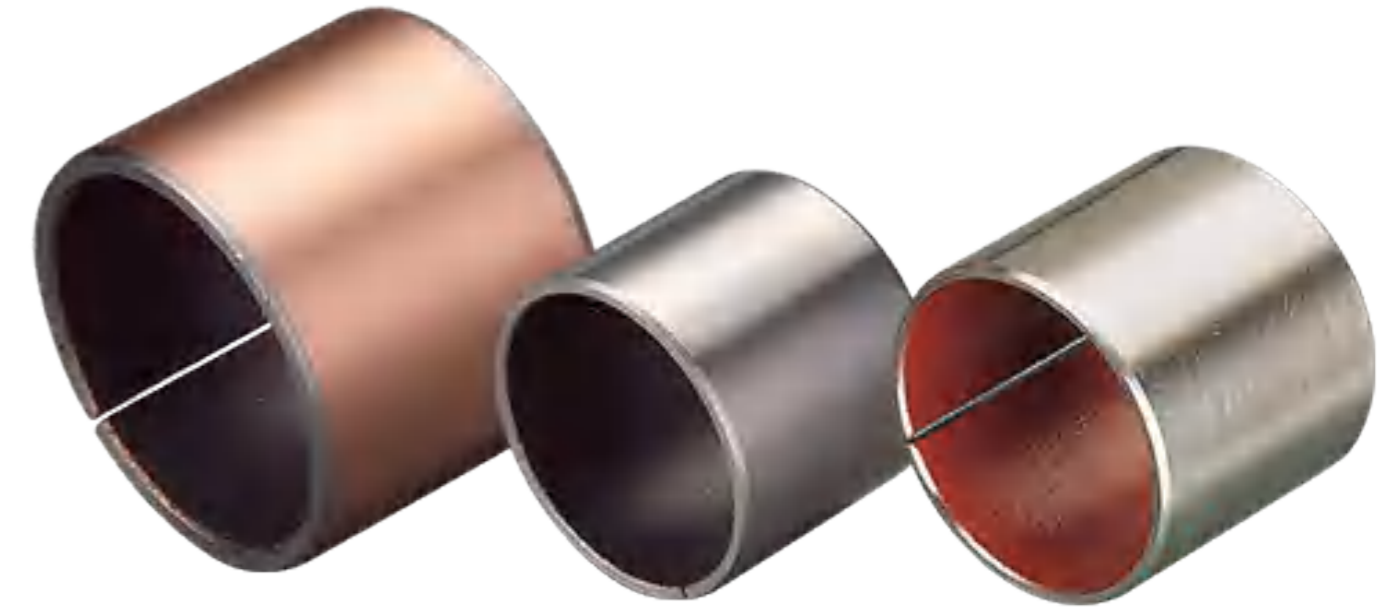
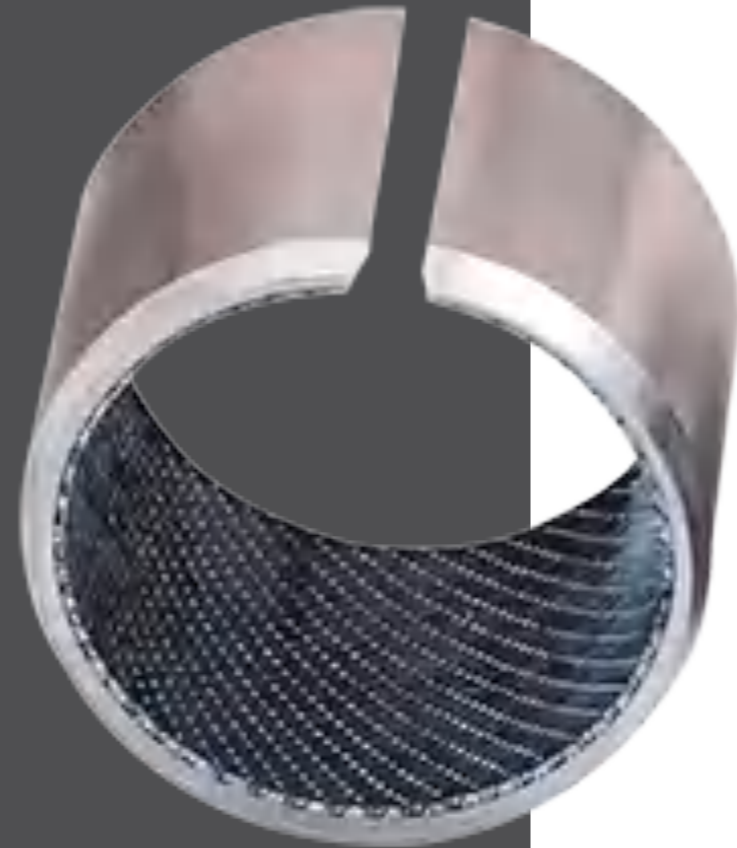
Introduction

PTFE Kevlar Woven Bearing - Stainless Steel 316

GUIDE BUSHING

self-lubricating
MAINTENANCE-FREE

One of China leading suppliers of slide bearings,
plain bearings and bronze bushings. World class
logistics!



Characteristics

- Maintenance-free (self-lubricating)
- Low coefficient of friction
- Stainless steel (anti corrosive)
- Approved according to RoHS

Directive

with leadfree PTFE, with a variety of PTFE mixes
specialized for various industries

Thin Walled Bimetal Bearings ,
Stainless self lubricating plain
bearings.Maintenance-free

CYLINDRICAL BUSHINGS

AVAILABILITY

Bearing forms available in standard dimensions

Cylindrical bushes

Flanged bushes

Thrust washer

Flanged washers

Sliding plates



SLEEVE BUSHING SLIDING BEARINGS

STAINLESS STEEL BUSHING

PTFE Kevlar Woven Bearing

– Stainless Steel 316





Metal Polymer Composite Bearings

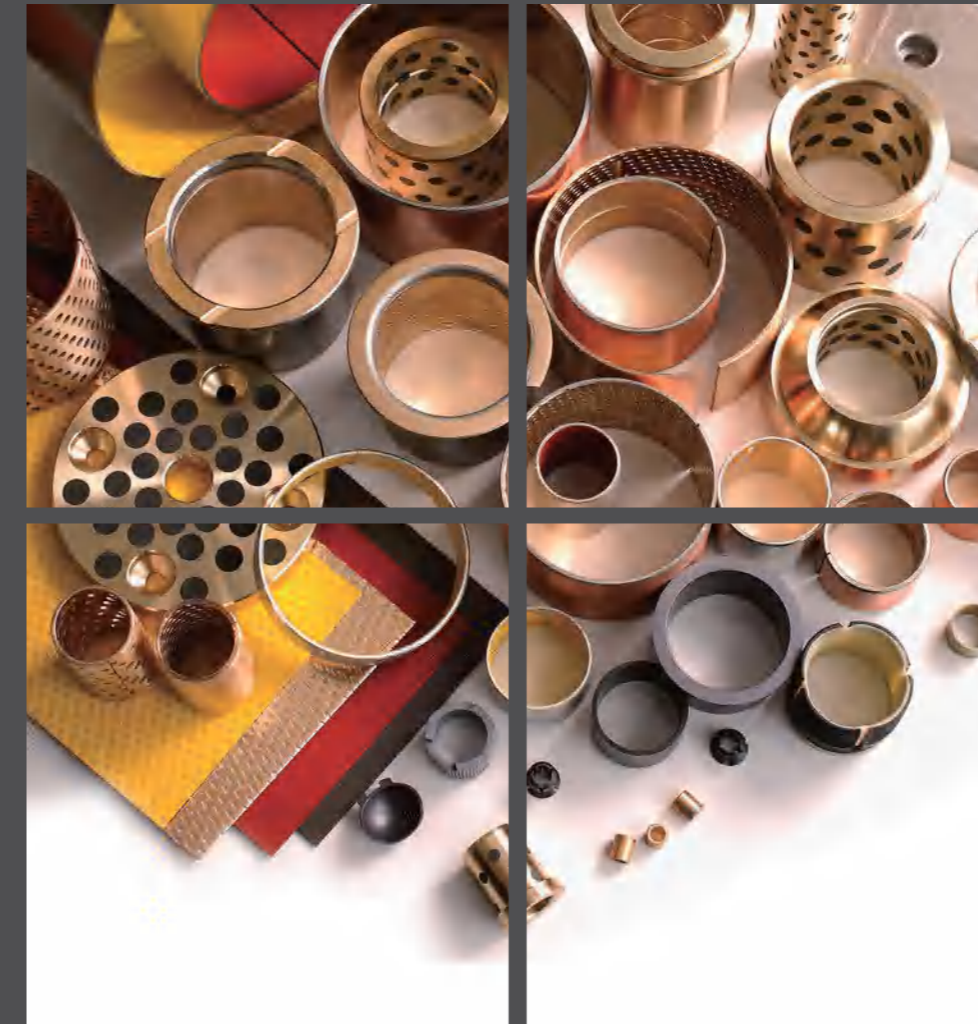
MATERIAL

Support material: Stainless Steel

Intermediate layer

Sintered bronze

Sliding layer PTFE/FABRIC

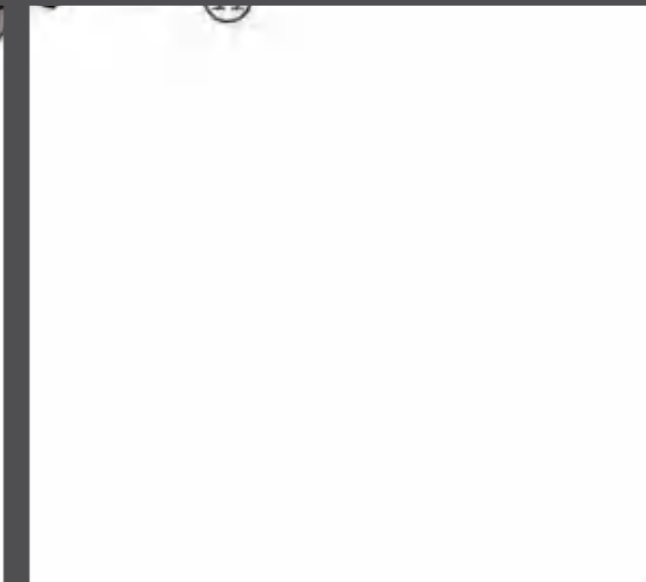
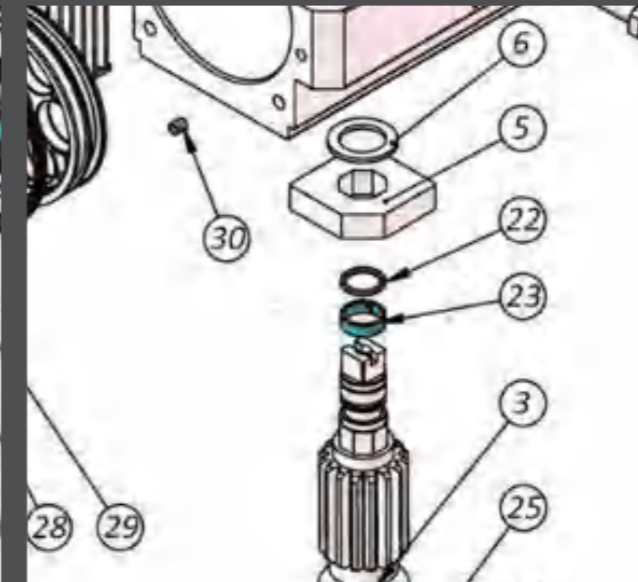
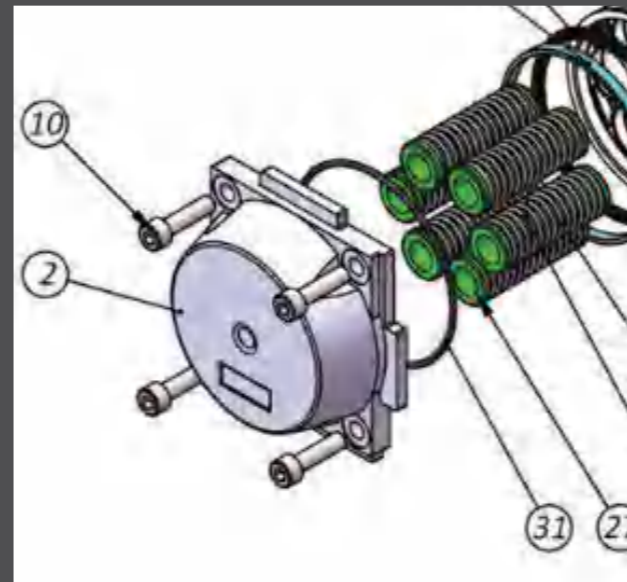
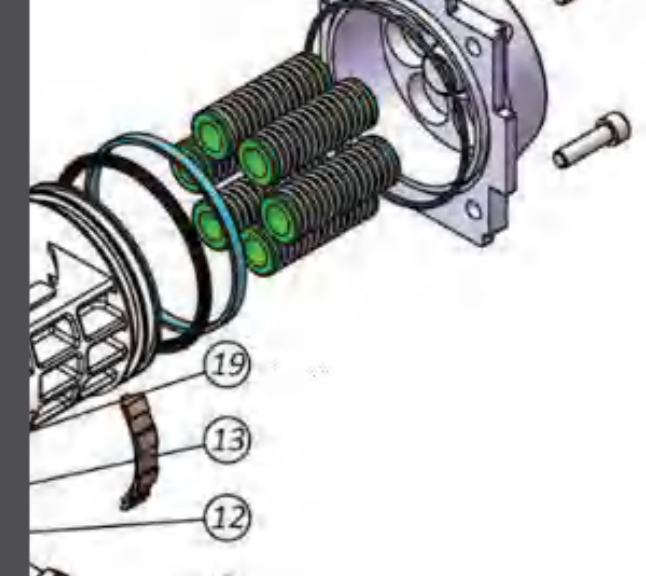
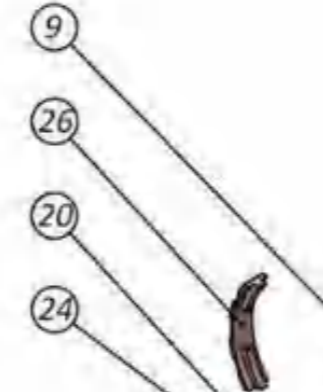


The superior performance of metal polymer plain bushings lies in their unique composite structure: Impregnated anti-friction overlay enriched with PTFE and fillers or extruded thermoplastic tape Porous sintered bronze interlayer for high wear resistance Steel or bronze backing for high mechanical strength. Special bushings stainless steel fabric bushing with additional functionality can be produced to customer specifications and requirements.

PTFE Kevlar Woven
Bearing – Stainless Steel
316

RANGE OF APPLICATION

HYDRAULIC CYLINDERS, VALVE, PUMPS AND
FOODSTUFF- AND PHARMACEUTICAL
INDUSTRIES. OFFSHORE AND OTHER MARINE
APPLICATIONS.



MADE -TO-ORDER
STRIPS
INCH & METRIC SIZE



The Premier Source for Stainless Steel Bushings Online

CHARACTERISTICS
Fiber Glide Self Lubricating Bearings
Self-Lubricating Bearings is best suited for your design application.

MADE IN CHINA
GET STARTED

CONTACT

START YOUR PROJECT
With an Application Engineer: TIFFANY@VIIPLUS.COM
WWW.BRONZEGLEITLAGER.COM